

IMPORTANT, SAVE FOR FUTURE REFERENCE: READ CAREFULLY

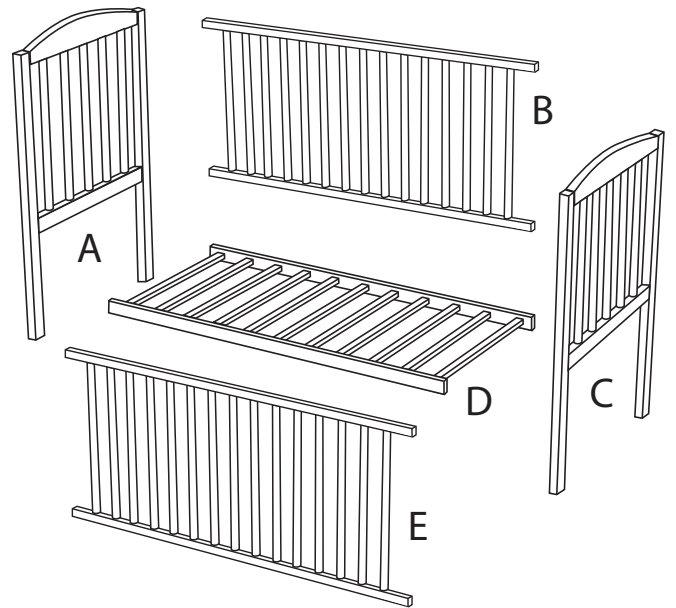
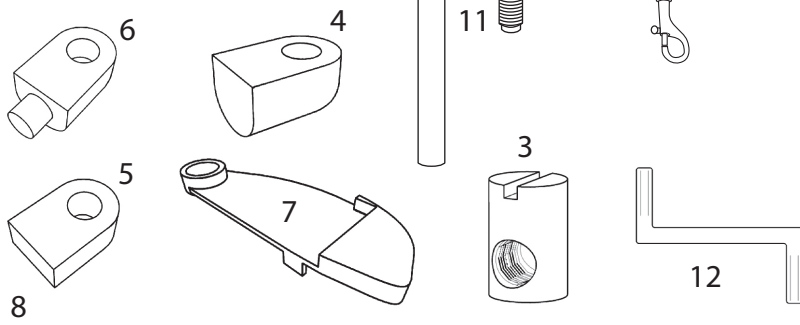


Instructions for assembly and use of the cot

2710 Baby Scarlett II, material - pine wood
color - natural (colorless varnish)

Parts List

- 1 – longer screw (6x)
- 2 – shorter screw (6x)
- 3 – cylindrical nut (6x)
- 4 – lower holder plastic (2x)
- 5 – middle holder plastic (2x)
- 6 – upper holder plastic (2x)
- 7 – plastic fuse (1x left, 1x right)
- 8 – metal rod (2x)
- 10 – safety belt (2x)
- 11 – screw to strap 2 parts (2x)
- 12 – Allen key (1x)



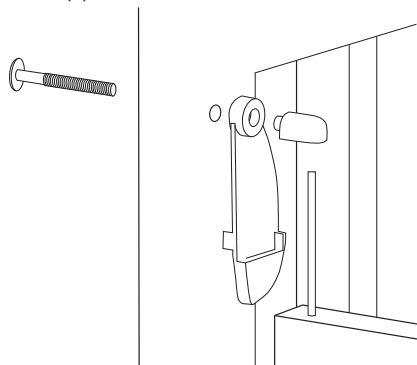
1 Using screws (1) and cylindrical nuts (3), connect the fronts (A, C) and the side of the crib (B)

2 Attach the grate (D) with screws (1) and cylindrical nuts (3). **Cylindrical nuts (3) are always inserted from the bottom of the grate when connecting to the side bed, the grate must not be turned, there is a risk of damaging the grate.**

3 Attach the screws (2) to the lower brackets (4) in the lower part of the legs of both front walls and insert the metal rods (8) through the drilled holes into the sidewall (E), with the middle brackets (5) threaded in the middle.

4 Insert the rods (8) into the lower holders (4) and fasten the screws (2). Middle brackets (5) to the fronts of the cot (A, C)

- 5** Put the fuses (7) on the upper brackets (6), slide them onto the bars and attach them to the leg of the cot using screws (2).

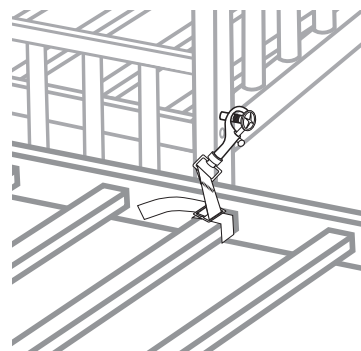


- 6** The legs of the cot are pre-drilled for possible installation of wheels.



The wheels are not part of the cot and their assembly and use of the cot with wheels is at your own risk.

- 7** Attach the safety belt (10) to the screw (11) and firmly connect the crib to the frame of the large bed.

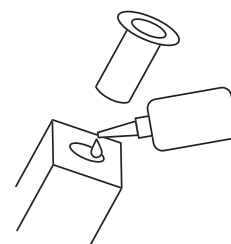


Instructions for using the pull-down side

In the raised position, the side of the cot is suspended on the surface of the fuses (7). To retract the side, lift it slightly, deflect the fuses and the side will lower slightly. After each manipulation of the pull-up side, make sure that the side is properly secured after being pulled up.

Recommendation:

In the event that the plastic bushings in the legs become loose cots, we recommend gluing them with wood glue to prevent the wheels from falling out and possible breaking legs.



WARNING / NOTICE

with the sideboard in the lower position, do not let the child move freely around the room without supervision, there is a risk of suffocation under the lower edge of the lowered sideboard!

Notice

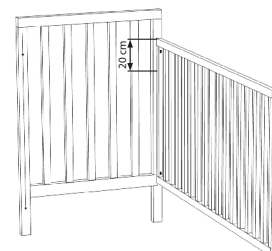
- Warning: Keep in mind the risk of open fire and other sources of strong heat, e.g. electric heating, gas fire, etc. in close proximity to the cot;
- Caution: Do not use the crib if any part is broken, torn or missing and use only manufacturer approved replacement parts;
- Warning: Do not leave anything in the cot or place the cot near another product that could provide foot support or pose a suffocation or strangulation hazard, eg ropes, blind/curtain cords
- Warning: Do not use more than one mattress in the crib.

Usage

- The cot is ready for use, only after verifying that the locking mechanisms are fully functional before using the cot
- The height of the bottom is adjustable, the lowest position is the safest and should be used whenever the child is able to sit up on their own
- If you leave the child unattended in the crib, always make sure that the sides are movable in the closed position.
- Removable guides for moving the base are not used for this type of crib. The grating is positioned using screws in pre-drilled holes.
- Assembly drawing, description of individual parts and necessary tools for assembly can be found on page 1 of this manual.
- The thickness of the mattress must be such that the internal height (from the surface of the mattress to the top edge of the cot frame) is at least 500 mm in the lowest position of the bottom of the cot and at least 200 mm in the highest position of the bed bottom.
- The notches on the leg of the crib determine the maximum thickness of the mattress that can be used in the crib.
- The size of the mattress used in the crib must be such that the gap between the mattress and the sides, mattress and headboards will not exceed 30 mm.
- All fasteners must be properly tightened and must be checked regularly during use of the crib as needed.
- Keep the crib clean only with a cotton cloth slightly moistened in clean water without any chemical agents.
- To avoid injury from falling, the crib must not be used if the child is able to climb out of the crib.

Notice:

a depth of at least 20 cm must remain between the upper surface of the mattress and the upper edge of the long side. In the lower position of the grid 50 cm. This is indicated by a line on the forehead cots. So it is not a defect product, but for the European requirement standards ČSN EN 716-1+AC (910606)



Packaging

- To avoid the risk of suffocation, remove the packaging material from the reach of infants and children (foils, plastic, cardboard, etc.).

Information for customers

- The cot is assembled on a flat surface, leave the screws loose during assembly, only tighten them firmly after the entire cot is assembled. During use, it is necessary to check these screws, in case of loosening, tighten them.
- The cot is treated with surface treatment. The paints used are harmless to health and meet the requirements of Ministry of Health Decree No. 84/2001 Coll. placed on products with lacquered surface treatment for children under 3 years of age.
- The crib is made according to the requirements of the Czech standard ČSN EN 716-1+AC (910606) and European EN 716-1:2017+AC:2019.**
- Notice of the minimum internal height requirement (i.e. the height between the upper surface of the mattress to the upper edge of the sideboard): 50 cm at the lowest position of the slat; 20 cm at the highest position of the grate. Any cuts on the leg of the cot indicate the maximum height of the upper edge of the mattress in the upper position of the slat and are not a defect in the product.

